

DEBO[®]

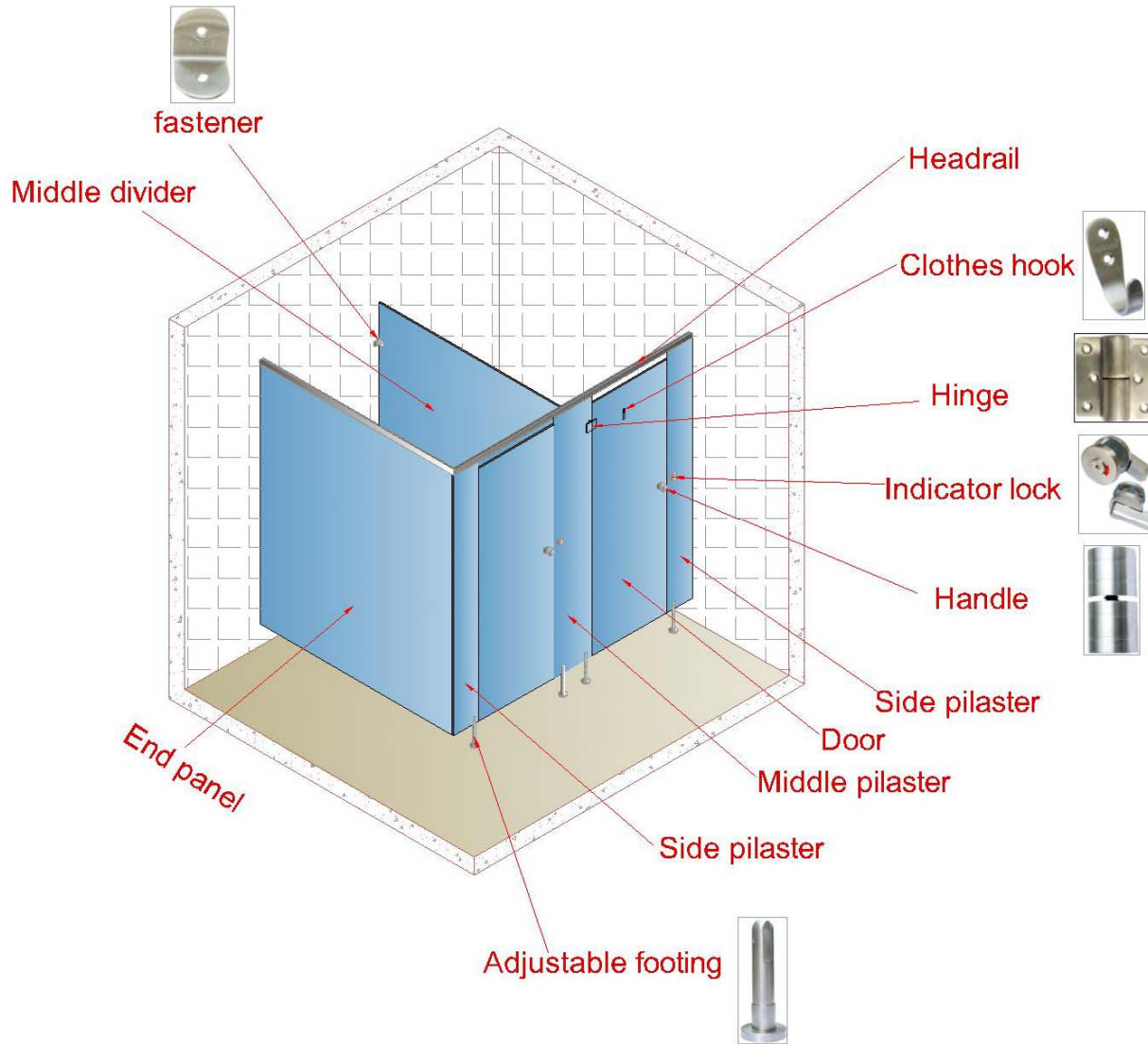
Toilet Cubicle System

Excel Series

Standard

Installation Guide

General View



Contents

Phase 1	• Preparation Work -----	4
Phase 2	• Install Panels -----	5-11
Phase 3	• Install Head rail (Hanger Rail) -----	12
Phase 4	• Install Hinges -----	13
Phase 5	• Install Indicator Lock -----	14
Phase 6	• Inspection -----	15

Phase 1

Preparation Work

Preparation Work before Installation

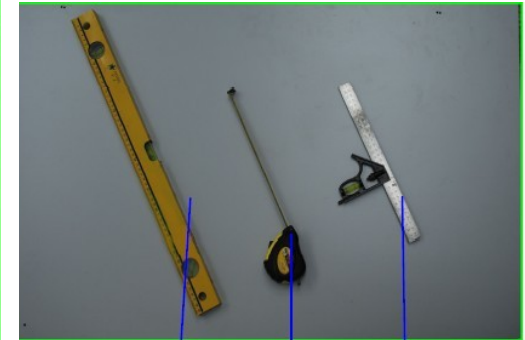
- ◆ Move the panels to the Jobsite.
- ◆ Check original drawing.
- ◆ Check the cross and stand direction of the wall.
- ◆ Mark the position of the tank and wires on the wall
- ◆ Check the jobsite dimension with original drawings.
- ◆ Check all the tools.



Dresser

portable

Kiener



horizontal ruler

Band tape

positioning ruler

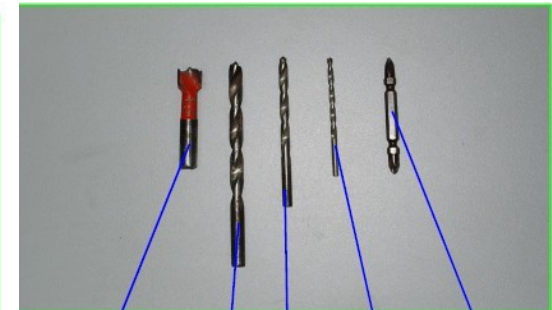


Sinker

pliers

screwdriver

inner hexagon spanner



punch

twist drill

aiguille

aiguille

Crosshead

Phase 2

Install Panels

➤ Step One

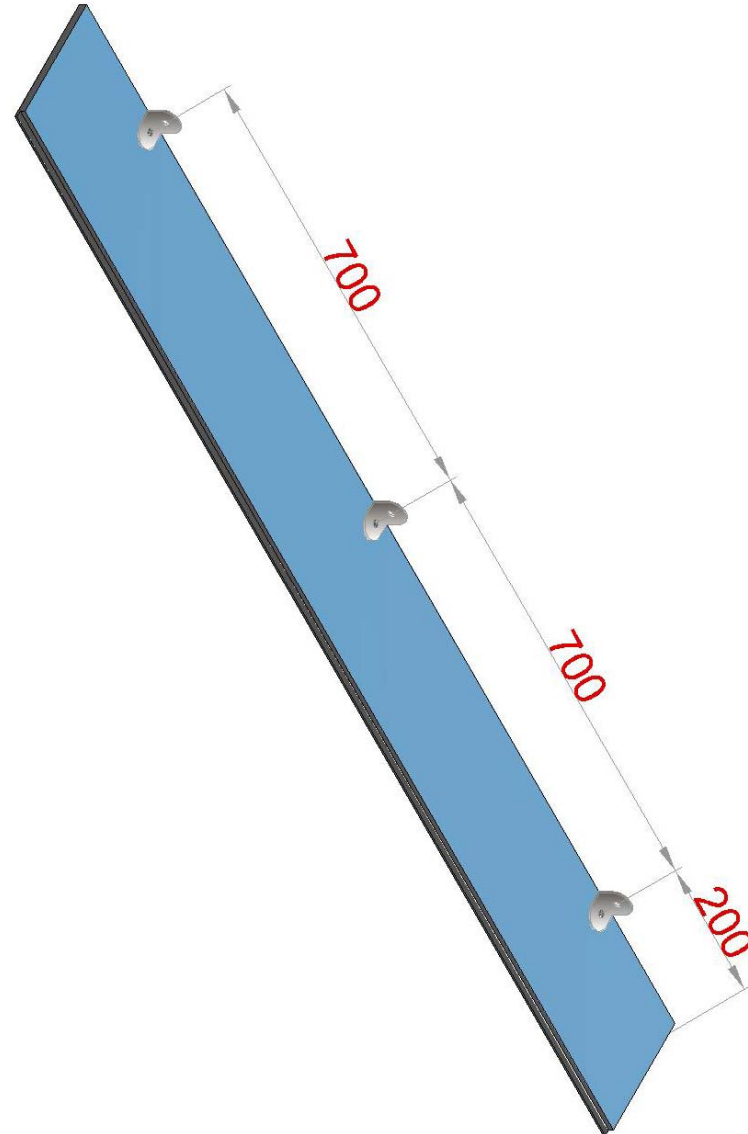
Side Pilaster Fixing

◆ Fix corner fastener to side pilaster through S.S screw (Normal Size: 40*10mm fix to the panel, 40*30mm fix to the wall).

Important Notice:

1. Mind the slot, the slot open is the same direction as the door open.

Corner fastener fix to Side pilaster



Phase 2

Install Panels

➤ Step Two

Fix Adjustable Footing to Side Pilaster

◆ Fix adjustable footing to the side pilaster.

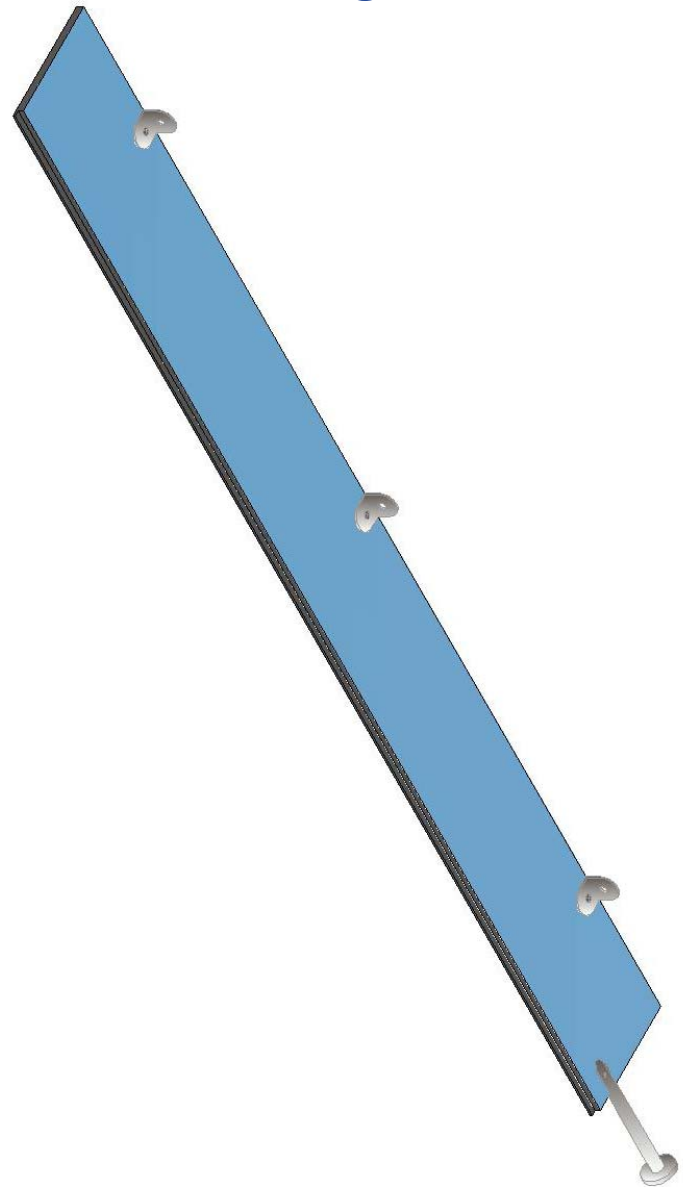
Insert the panel into the footing, adjustable the footing height to the middle level in order to adjust the height easier in next steps.

Important Notice:

1. Because of the tolerance, sometimes the panel can't insert to the footing, we can use a trimming to fix this problem.
2. We suggest to use DEBO fittings for DEBO toilet cubicles, but if the fittings supplied by others, please add 0.7mm plus tolerance for footings.



Fix Adjustable Footing to Side Pilaster



Phase 2

Install Panels

➤ Step Three

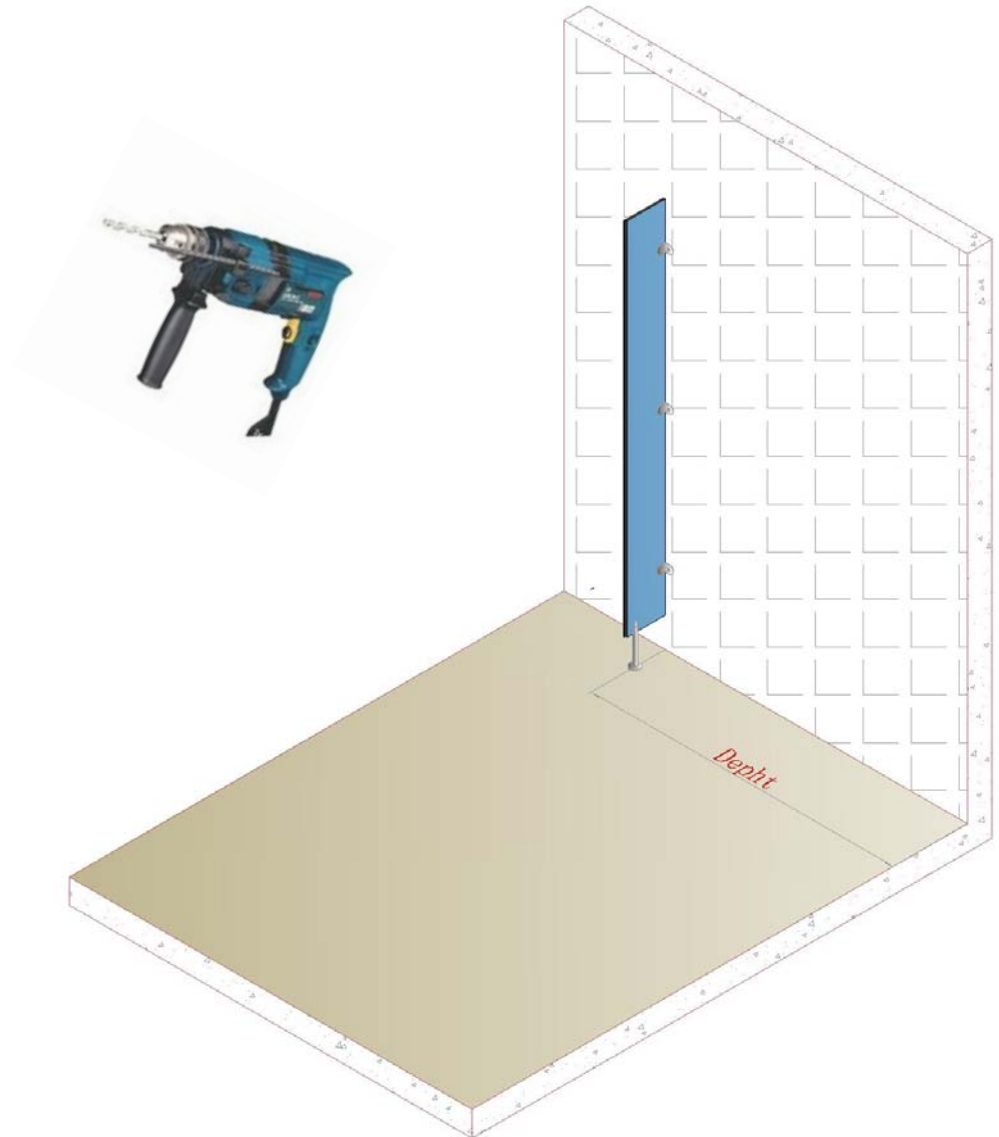
Fix Side Pilaster to wall

◆ Fix side pilaster to the wall through corner fastener.

Important Notice:

1. Must make sure the side pilaster is vertical and horizontal.
2. Churn drill. (6mm drill)
3. Insert plastic sticker.
4. S.S screw (40*30mm) fix to wall.

Fix Side Pilaster to Wall



Phase 2

Install Panels

➤ Step Four

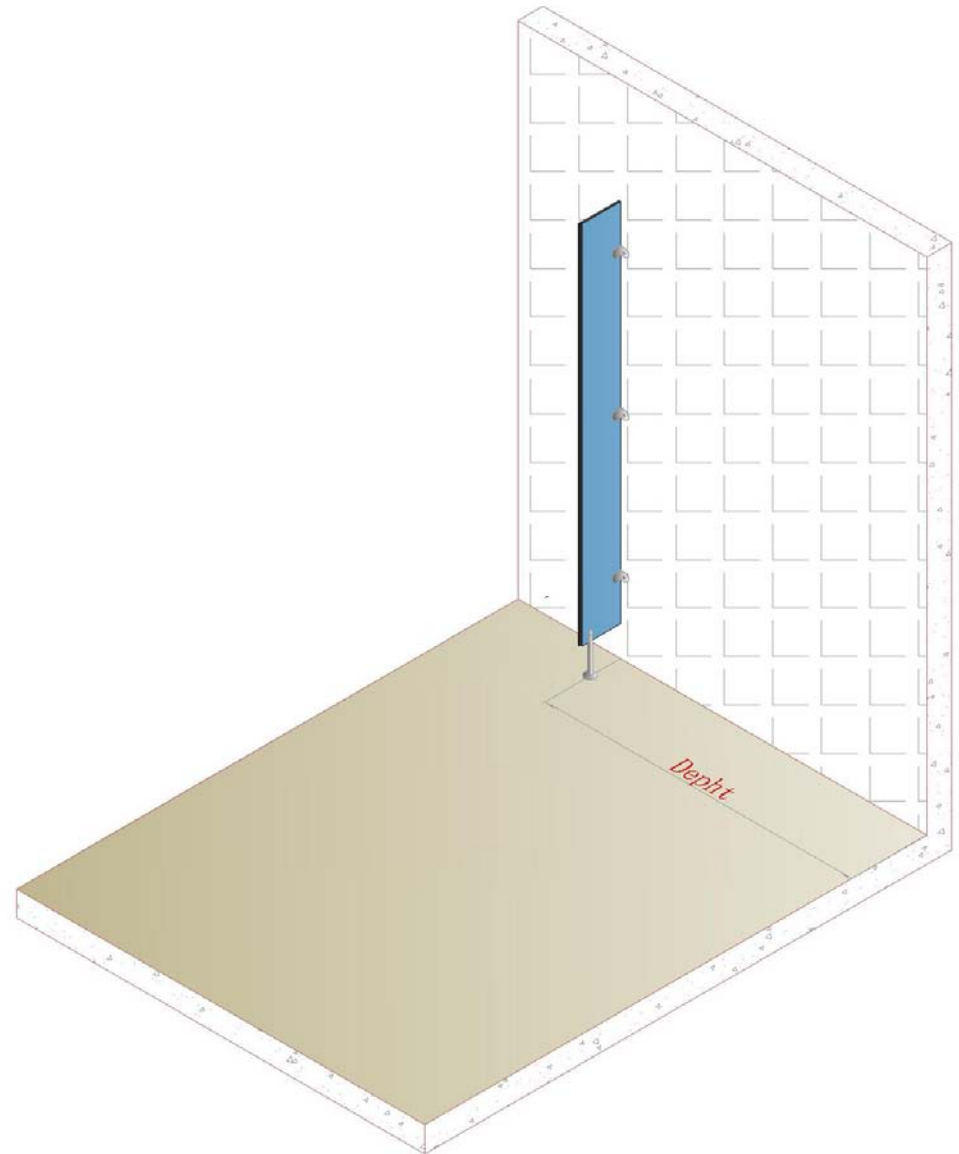
Fix Adjustable Footing
to Floor

◆ Fix adjustable footing to floor
through churn drill.

Important Notice:

- 1.Screw Size: 40*30mm
- 2.Insert plastic sticker

Fix Adjustable Footing to Floor



Phase 2

Install Panels

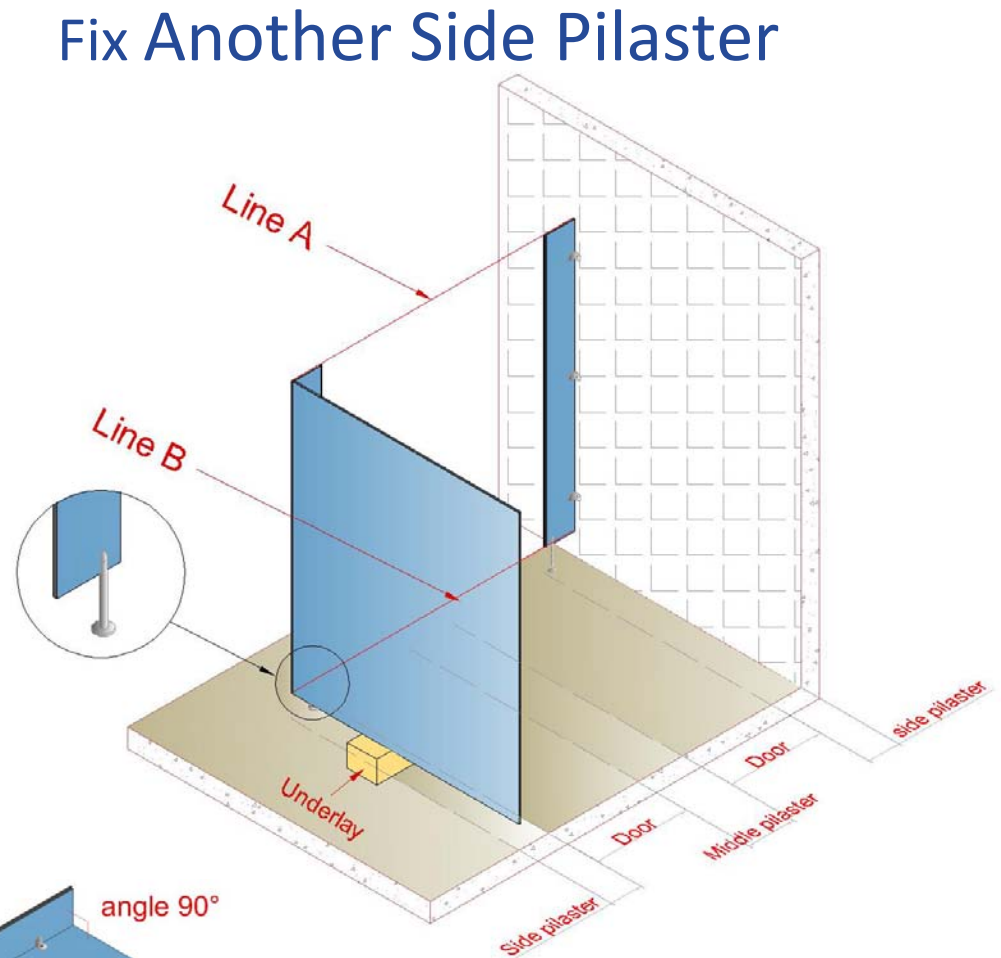
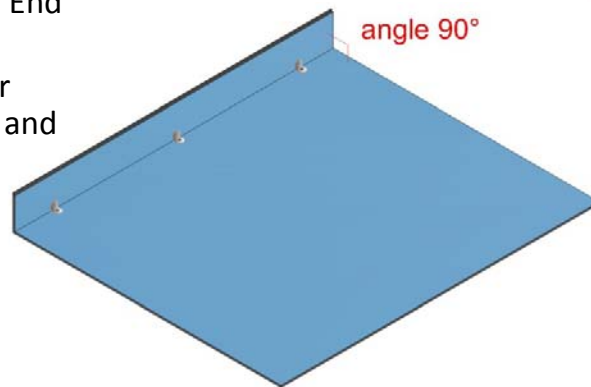
➤ Step Five

Fix Another Side Pilaster

- ◆ Follow page 5 to 8, you can fix another side pilaster, but the footing don't fix to the floor because we may need to adjust the width in next steps.
- ◆ Ensure all panels are in the same horizontal plane through 2 linear cord. Marked Line A and Line B.

Important Notice:

- 1.If the toilet cubicle is along one wall style, we fix the side pilaster to the End panel through corner fastener,.
- 2.Fix the End panel to the wall after confirm the vertical and horizontal and toilet cubicle overall size.
- 3.End panel height is the same as Pilasters.



Phase 2

Install Panels

➤ Step Six

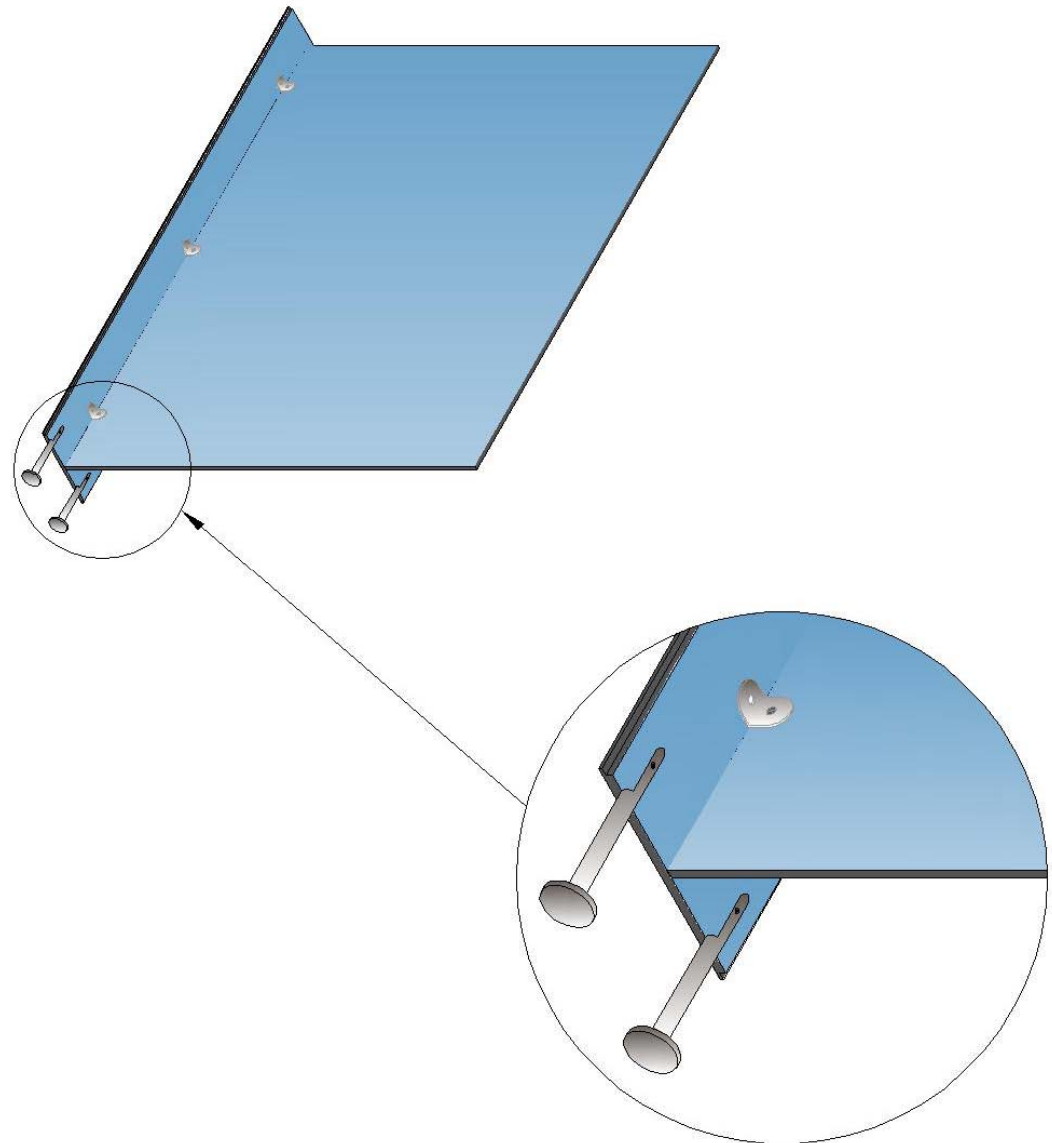
Fix Middle Pilaster
to Middle Divider

◆ Lay down the Middle Pilaster to the floor, put the Middle Divider on the Middle pilaster in vertical, and fix Middle Pilaster to Middle Divider through corner fastener.

Important Notice:

- 1.S.S screw (40*10mm) in two sides.
- 2.Mind the Middle Pilaster slot open is the same as door open.
- 3.Middle Divider one side is horizontal to the Middle Pilaster. Another size 25mm shorter than Middle Pilaster in order to install the head rail.

Fix Middle Pilaster to Middle Divider



Phase 2

Install Panels

➤ Step Seven

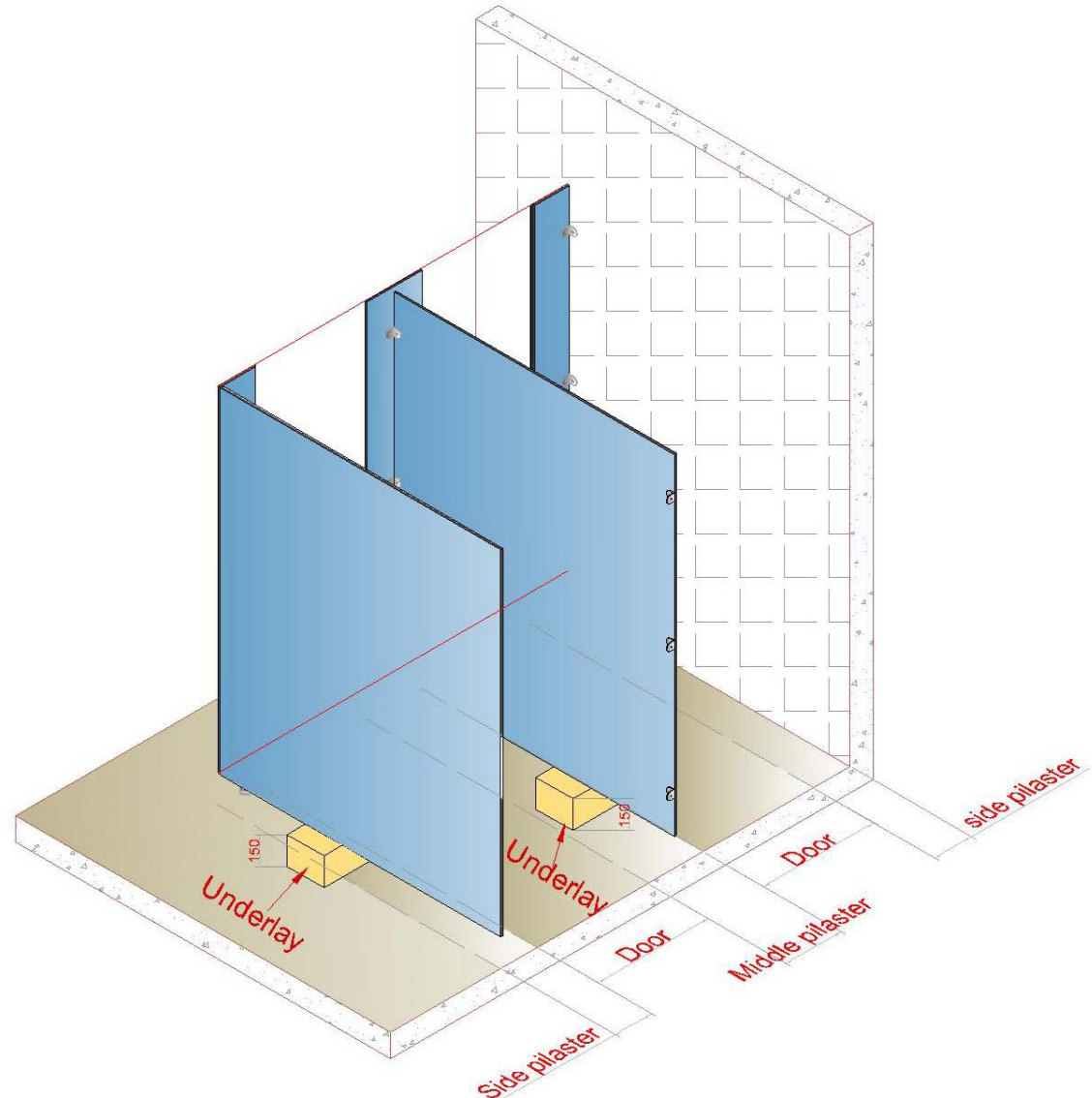
Install Middle Pilaster & Middle Divider

- ◆ Make something to support the middle divider (if the middle divider no footing support), height should be the same as the footing.
- ◆ Ensure the middle pilaster height is the same as side pilaster (check line A & B)
- ◆ Check the toilet cubicle space to the drawing before Install the middle divider to the wall.
- ◆ Ensure to leave the door width before install the Middle divider & Middle Pilaster.

Important Notice:

1.S.S screw (40*30mm) fix Middle divider to the wall.

Install Middle Pilaster & Middle Divider



Phase 3

Install Head Rail

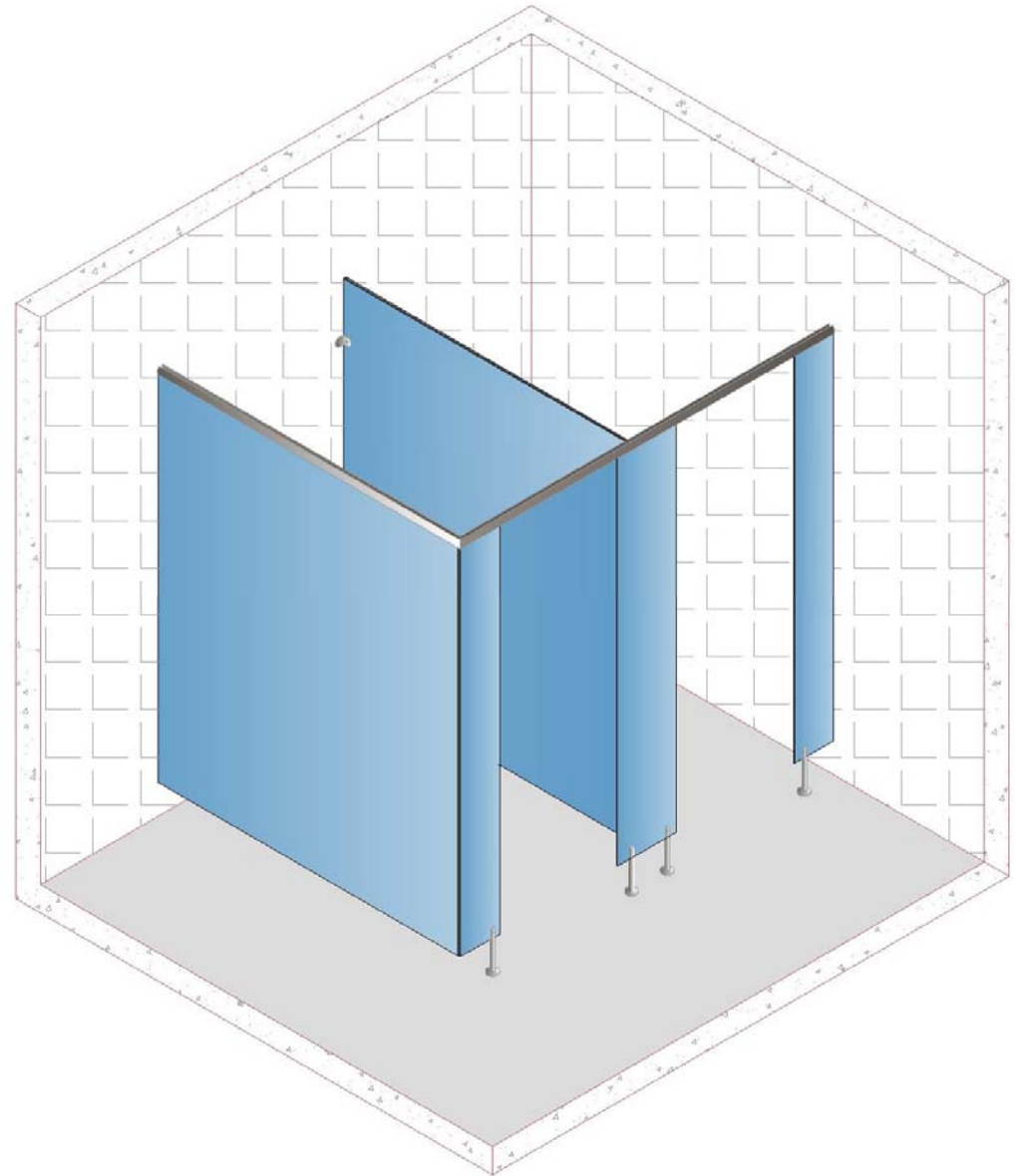
Install Head Rail

- ◆ Ensure all pilasters are vertical and horizontal for install the head rail.
- ◆ Install the head rail according the hardware design required or drawing required.
- ◆ Install the adjustable footing and Head Rail in the same time.
- ◆ If it's hanger rail, the hanger should be vertical with the footing for nice looking.

Important Notice:

- 1.S.S screw (40*30mm) fix Middle divider to the wall.
- 2.S.S screw (40*18mm) fix head rail to the pilasters.

Install Head Rail



Phase 4

Install Hinges

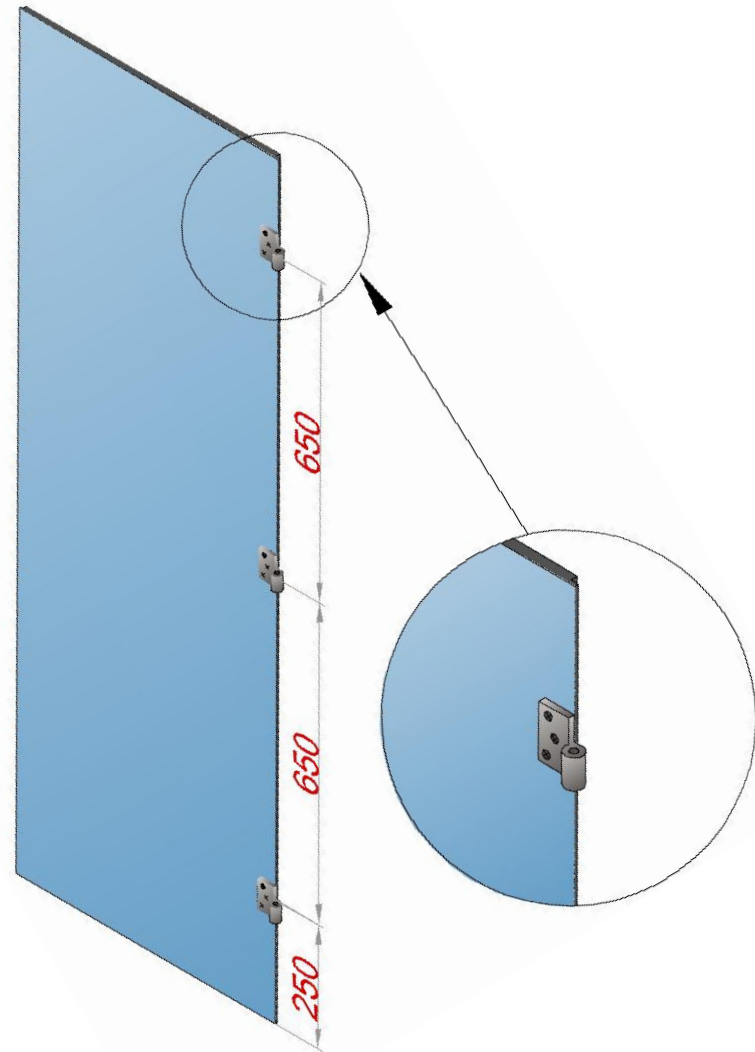
Install Hinge

- ◆ Install the Hinge to the door according drawing required.
(Door open Left or Right,
Door open inside or outside)
- ◆ Put the door between side pilaster and middle pilaster, sign the hinge area on the pilaster.

Important Notice:

- 1.Flat Hinge should be install in the Middle place.
- 2.Rising Hinge should be install in the top and bottom.

Install Hinges



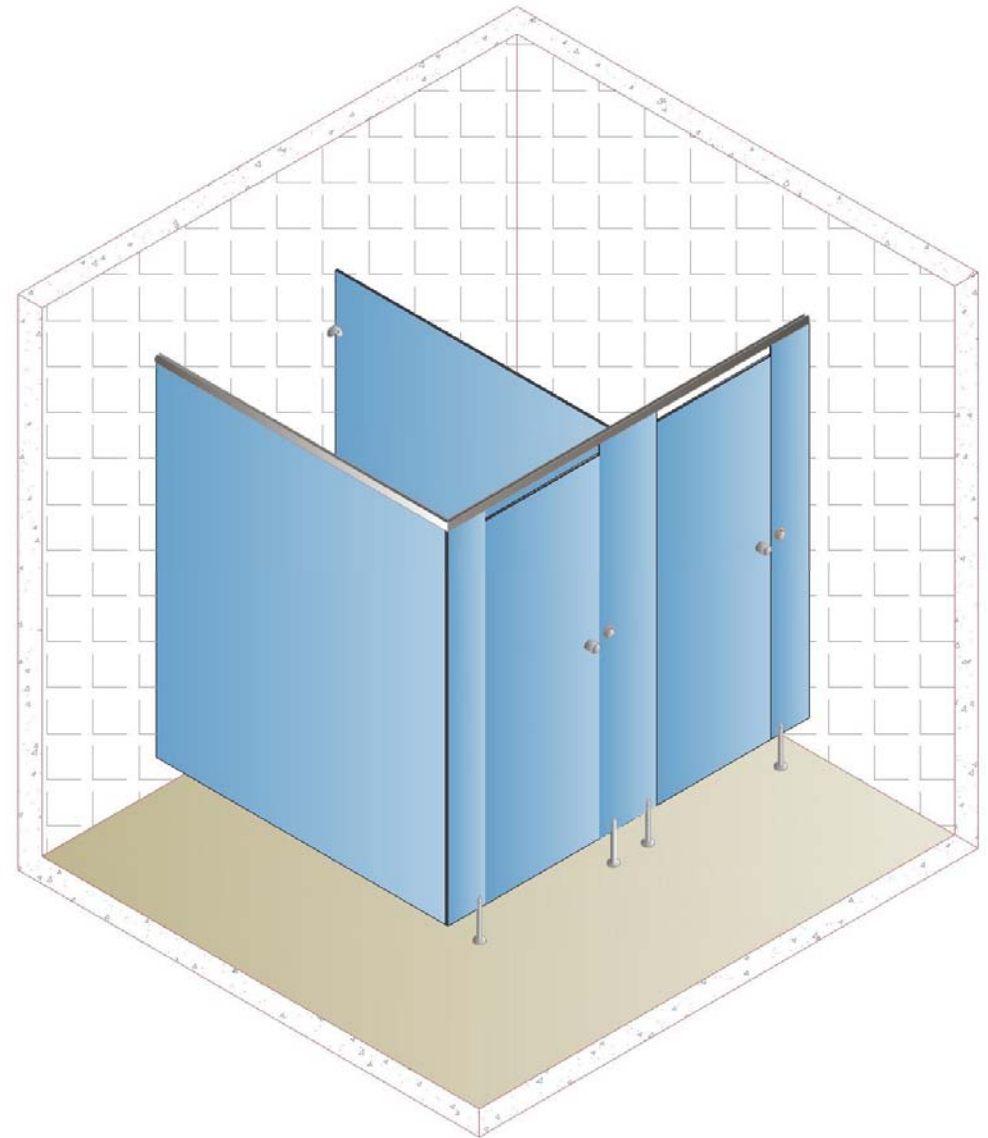
Phase 5

Install Indicator Lock & Handle

Install Indicator Lock & Handle

- ◆ Install the Indicator Lock to the door according drawing required.
- ◆ Installation Guide should follow hardware supplier user's guide.
- ◆ Toilet cubicles installation is finished after this step.

Install Indicator Lock & Handle



Inspection Toilet Cubicles

Phase 6 Inspection

Inspection Toilet cubicles

- ◆ Check the closing and opening of the doors.
- ◆ Check hardware.
- ◆ Clean the toilet cubicles.



END

Standard Installation Guide